

ABSOSR

Rear suspension package Ensemble pour suspension arrière Ensemble para suspensión de trasero

INSTALLATION INSTRUCTIONS

- Partially raise vehicle not allowing the axle to hang freely.
- Loosen axle U-bolts and remove existing bump stop.
- Assemble Aeon rubber spring and bracket as shown in the adjacent diagram.
- Mount Timbren assembly to axle & retighten U-bolts as per manufacturers instructions.
- Lower vehicle.

NOTE:

These instructions are not intended to replace OEM guidelines for safe removal and replacement of the OEM fasteners.

Do not exceed vehicle manufacturer's recommended axle weight rating. Check for AEON® interference with vehicle components - Under load AEON® will "expand" in diameter.

INSTRUCTIONS DE MONTAGE

- Soulevez légèrement le véhicule en ne permettant pas à l'axe de pendre librement.
- Desserrez les boulons en U de l'essieu et retirez la butée de suspension existante.
- Assembler le ressort en caoutchouc Aeon et le support comme il est indiqué dans le schéma adjacent.
- Monter l'assemblage Timbren à l'essieu et resserrer les boulons en U selon les directives des fabricants.
- Redescendre le véhicule.

REMARQUE:

Ces instructions ne sont pas destinés à remplacer les lignes directrices du fabricant pour le retrait et le remplacement des attaches d'origine.

Ne pas dépasser le poids nominal sur l'essieu recommandé par le fabricant du véhicule. Vérifier que le ressort AEON® n'a pas d'incidence sur d'autres pièces du véhicule - Le ressort AEON® augmentera son diamètre avec la charge.

INSTRUCCIONES DE INSTALACIÓN

- Levante ligeramente el vehículo no permitiendo al eje colgar libremente.
- Suelte los pernos "U" del eje y retire el tope de suspensión existente.
- Ensamble el resorte de caucho Aeon y la abrazadera como se muestra en el diagrama adyacente.
- Monte la unidad Timbren al eje y vuelva a apretar los pernos "U" según las instrucciones de los fabricantes.
- Baje el vehículo.

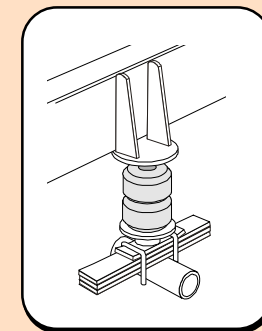
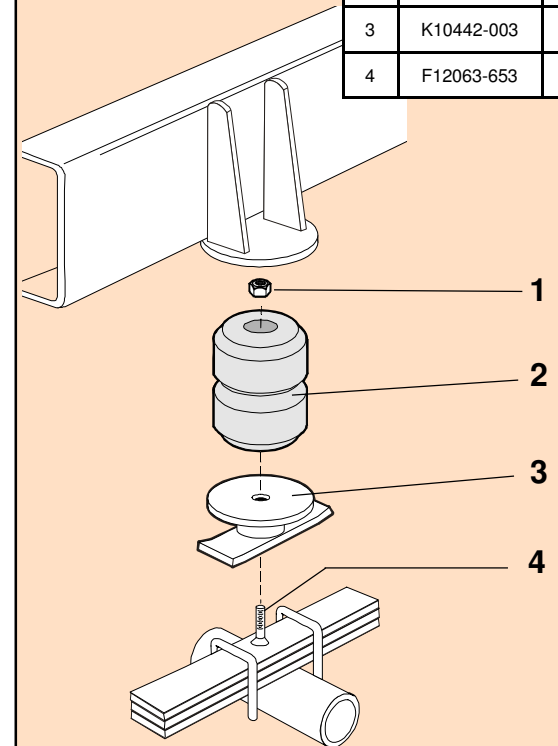
NOTA:

Estas declaraciones no están destinadas a sustituir las directrices del fabricante para el retiro y sustitución de elementos de sujeción.

No exceda la carga nominal en el eje recomendada por el fabricante del vehículo. Compruebe que no haya interferencia entre el resorte AEON® y los otros componentes del vehículo. Bajo carga, el resorte AEON® se ampliará en diámetro.

Ref. = Reference = No. de référence = Núm. de referencia
Part = Part #. = No. de pièce = Núm. de pieza
Qty. = Quantity = Quantité = Cantidad

Ref	Part	Qty
1	F31003-250	2
2	A00515-55P30	2
3	K10442-003	2
4	F12063-653	2



ABSOSR



ABSOSR

TIMBREN INDUSTRIES INC.

www.timbren.com

PART NUMBER	DESCRIPTION	QTY	LOCATION
F31003-250	NYLOCK LOCKNUT 3/8 UNC GR 5 Z	2	G1B
F12063-653	FHSCS 3/8 x 1-1/2 F/T UNC GR 5 B	2	J2E

A00515-55P30	Hollow Rubber Spring	2	C5B
---------------------	----------------------	----------	------------

K10442-003	GMRCCA / TORTUN4L WELDMENT PAINTED	2	D21F
-------------------	------------------------------------	----------	-------------

B90215	Carton 8.5 x 6.5 x 5	1	A5A
B10000	8" x 12" BUBBLE FOR KITS	1	
B00029-010	BARCODE LABEL FOR KIT	1	
B90121-010	OFFROAD KIT BOX LABEL	1	

Issued: 9/8/2015

Clearance Instructions:

Rear SES Kits for Pick-Ups and Vans should have a 1/2" to 1-1/2" gap between the rubber spring and contact point when empty.

A partial load, or vehicle accessories will reduce or eliminate the gap.

Front SES kits are usually in full contact.

Medium and Heavy-Duty Trucks, Trailers and Motorhomes will be in constant contact, and have no gap.

Lifetime Warranty:

Timbren SES Kits are warranted against defects in material and workmanship, under normal use and service, for the life of the vehicle on which the kit was originally installed. The warranty is not transferable and proof of purchase is required. The warranty is limited to the replacement of the failed part.

TIMBREN will not be responsible for any labour or freight charges involved in the replacement of any product. TIMBREN shall be entitled to make its own inspection to determine the validity of the claim. TIMBREN shall not be liable nor warranty the product in the event of alteration, misuse, overload, negligence or damage caused by others.

If ride or performance of our product is unsatisfactory in any way, please call: 1-800-263-3113 or email sales@timbren.com